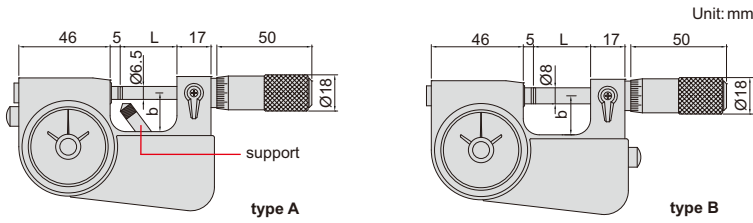


INDICATING MICROMETERS

ATTENTION: SETTING STANDARDS ARE NOT INCLUDED



5

- Meet DIN863-3
- Micrometer head graduation: 0.002mm
- Dial indicator: range ± 0.04 mm, graduation 0.001mm, accuracy 0.001mm
- Carbide measuring faces
- Optional accessory: gage blocks grade 0 (4101-A series), for zero setting

| Code | Micrometer head range | Micrometer head accuracy | Type | L | b | Remark |
|----------|-----------------------|--------------------------|------|-------|----|-----------------|
| 3332-25 | 0-25mm | 4 μ m | A | 28.5 | 19 | with support |
| 3332-50 | 25-50mm | 4 μ m | A | 53.5 | 30 | with support |
| 3332-75 | 50-75mm | 5 μ m | A | 78.5 | 45 | without support |
| 3332-100 | 75-100mm | 5 μ m | A | 103.5 | 57 | without support |
| 3332-25B | 0-25mm | 4 μ m | B | 28.5 | 19 | without support |



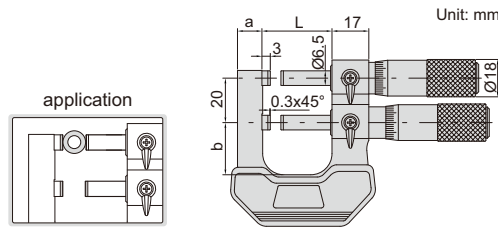
3332-25



3332-25B

LIMIT MICROMETERS

- Used as Go/No-Go gage by setting upper and lower limits
- Graduation 0.002mm
- Carbide measuring faces
- Supplied with setting standard (except 0-25mm)



| Code | Range | Accuracy | L | a | b |
|----------|---------|-----------|------|------|------|
| 3235-25A | 0-25mm | 4 μ m | 32mm | 12mm | 24mm |
| 3235-50A | 25-50mm | 4 μ m | 57mm | 15mm | 32mm |



3235-25A

MICROMETERS WITH DIAL INDICATOR

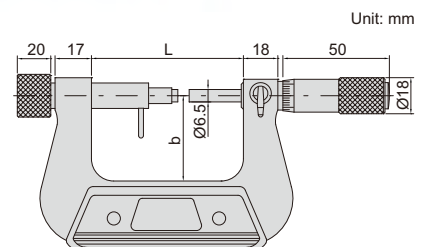
ATTENTION: NOT SUITABLE FOR 0.001MM DIAL INDICATORS

- Meet DIN863-3
- Micrometer head graduation 0.01mm
- Anvil retracting range: 8mm
- Carbide measuring faces
- Supplied with setting standards (except 0-25mm)
- Optional accessory: dial indicators (graduation 0.01mm), digital indicators (resolution 0.01mm/0.0005")



3331-25A

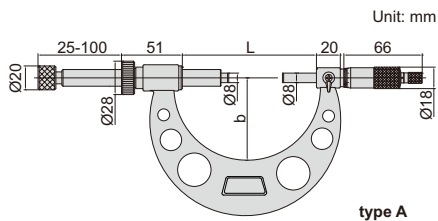
| Code | Micrometer head range | Micrometer head accuracy | L | b |
|-----------|-----------------------|--------------------------|---------|--------|
| 3331-25A | 0-25mm | 4 μ m | 67mm | 38mm |
| 3331-50A | 25-50mm | 4 μ m | 92.4mm | 50mm |
| 3331-75A | 50-75mm | 5 μ m | 117.6mm | 62mm |
| 3331-100A | 75-100mm | 5 μ m | 143mm | 70mm |
| 3331-125A | 100-125mm | 6 μ m | 168.2mm | 82mm |
| 3331-150A | 125-150mm | 6 μ m | 192mm | 94.5mm |
| 3331-175A | 150-175mm | 7 μ m | 217mm | 107mm |



ATTENTION: NOT SUITABLE FOR 0.001MM DIAL INDICATORS

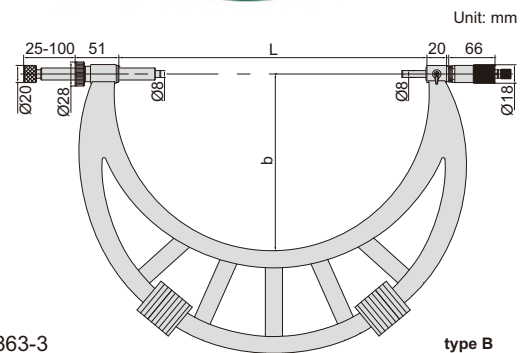
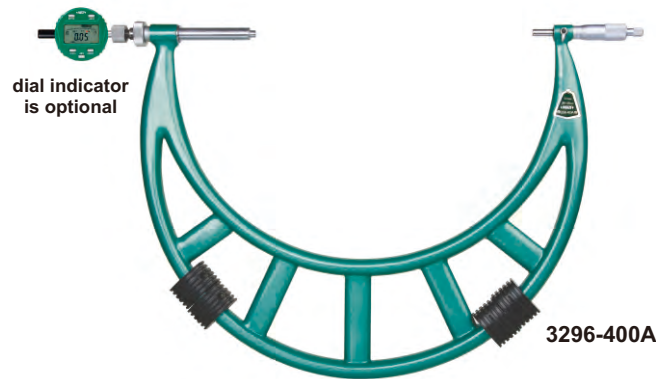


3296-100A



| Code | Range | Type | Accuracy | L | b |
|------------|------------|------|----------|------|-----|
| 3296-100A | 0-100mm | A | 6µm | 115 | 68 |
| 3296-200A | 100-200mm | A | 7µm | 215 | 120 |
| 3296-300A | 200-300mm | A | 8µm | 315 | 170 |
| 3296-400A | 300-400mm | B | 9µm | 415 | 225 |
| 3296-500A | 400-500mm | B | 10µm | 515 | 275 |
| 3296-600A | 500-600mm | B | 11µm | 615 | 325 |
| 3296-700A | 600-700mm | B | 12µm | 715 | 375 |
| 3296-800A | 700-800mm | B | 13µm | 815 | 430 |
| 3296-900A | 800-900mm | B | 14µm | 915 | 480 |
| 3296-1000A | 900-1000mm | B | 15µm | 1015 | 530 |

MICROMETERS WITH DIAL INDICATOR



- Meet DIN863-3
- Graduation 0.01mm
- Ratchet stop
- Carbide measuring faces
- Supplied with setting standards
- Optional accessory: dial indicators (graduation 0.01mm) digital indicators (resolution 0.01mm/0.0005")

- Measure width of grooves inside bores
- Graduation 0.01mm
- Two graduations for inside and outside measurements
- Non-rotating spindle

GROOVE MICROMETERS



No ratchet stop (mm)

| Code | Range (outside A) | Range (inside B) | Accuracy | L | Ød | Ød1 |
|-----------|-------------------|------------------|----------|-----|-----|-----|
| 3287-25A | 0-25mm | 1.6-26.5mm | 10µm | 120 | 13 | 6.5 |
| 3287-50A | 25-50mm | 26.5-51.5mm | 10µm | 120 | 13 | 6.5 |
| 3287-75A | 50-75mm | 51.5-76.5mm | 10µm | 120 | 13 | 6.5 |
| 3287-100A | 75-100mm | 76.5-101.5mm | 10µm | 120 | 13 | 6.5 |
| 3287-251A | 0-25mm | 1.6-26.5mm | 10µm | 90 | 6.5 | 3 |

Two-directional ratchet stop (mm)

| Code | Range (outside A) | Range (inside B) | Accuracy | L | Ød | Ød1 |
|-----------|-------------------|------------------|----------|-----|-----|-----|
| 3287-25B | 0-25mm | 1.6-26.5mm | 10µm | 120 | 13 | 6.5 |
| 3287-50B | 25-50mm | 26.5-51.5mm | 10µm | 120 | 13 | 6.5 |
| 3287-75B | 50-75mm | 51.5-76.5mm | 10µm | 120 | 13 | 6.5 |
| 3287-100B | 75-100mm | 76.5-101.5mm | 10µm | 120 | 13 | 6.5 |
| 3287-251B | 0-25mm | 1.6-26.5mm | 10µm | 90 | 6.5 | 3 |

*3287-251A and 3287-251B do not have sleeve

